



Rotax MAX Challenge Technical Regulation 2017 (The Technical Regulations 2017)

1. General

1.1. Categories

Karts used in the Rotax Mojo MAX Challenge (RMC), Rotax Mojo MAX Challenge GRAND FINAL (RMCGF) and International Rotax Mojo MAX Challenge Events (IRMCE) are divided into the following classes:

- 125 Junior MAX
- 125 MAX

1.2. Amount of equipment

For each RMC race event (from qualifying practice to the final) following maximum amount of equipment is allowed:

- 1 chassis. (If damaged during an event, the chassis can be changed after if the damage is proved beyond doubt to the Scrutineer and the Stewards)
- 1 set of dry tires
- 1 set of wet tires
- 2 engines

2. Equipment

2.1. Chassis 125 Junior MAX and 125 MAX/Masters

For national RMC's any chassis sanctioned by an authorized Rotax distributor is allowed. Maximum diameter of rear axle = 50 mm, minimum wall thickness according to CIK-FIA rules. Front brakes are not allowed in the 125 Junior & Senior Max class.

2.2. Bodywork 125 Junior MAX and 125 MAX

In accordance with regulations of national Federations or CIK-FIA. At RMCGF and IRMCE bodywork with current CIK-FIA homologation validity only is allowed.

2.3. Tires

At all RMC, IRMCE and RMCGF following tires have to be used

125 Junior & Senior Max

Dry	Mojo D2	front 4.5 x 10.0 – 5	rear 7.1 x 11.0 – 5
Wet	Mojo W3	front 4.5 x 10.0 – 5	rear 6.0 x 11.0 – 5

Strictly no modifications or tire treatment allowed.

Recommended equipment to detect tire treatment is Mini-RAE-Lite.

Threshold value of maximum 4 ppm is recommended.

Tires must be mounted according to the sense of rotation defined on the tire.

2.4. Data acquisition

Systems which permit the reading/recording of following data only are allowed:

- Lap time
- Engine rpm (by induction on the high tension cable)

Two indications of temperature
 The speed of one wheel
 Acceleration in X/Y direction
 Position (via GPS system)
 Steering wheel angle sensor
 Connection of the data acquisition system to the original Rotax battery is allowed.
 During free practice also telemetry systems are allowed.

2.5. Composite materials

Composite materials (carbon fiber etc.) are banned except for the seat and the floor tray.
 Alloys from different metals/substances are not considered as composite.

2.6. Safety equipment

For RMC overalls, helmets, kart shoes, gloves and other kind of driving regulations of the national Federation or CIK-FIA.

2.7. Fuel/Oil

Fuel / Oil mix will be supplied by the Organiser.

2.8. Advertising on engines

No sponsor stickers (except ROTAX) are allowed on the engine and engine accessories except Rotax, BRP, Mojo, XPS and following plates attached to the cylinder.



3. Engine sealing, Scrutinizing

At RMC, engines which conform to the following technical regulation only, are legal to be used. For national RMC's, engines which have been checked and sealed by the Authorized Rotax Distributor of this territory or one of the Service Centers appointed by the Authorized Distributor, are allowed to be used only.

By sealing an engine the ROTAX Authorized Distributors and their Service Centers take over the responsibility for the conformity of the engine with according to the valid Technical Regulation. Also a brand new engine must be checked according to the Technical Specification before sealing.

The engines have to be sealed with specific ROTAX engine seals (black anodized aluminum seal with "ROTAX"-logo and a 6 digit serial number and a barcode).

Seals with barcode only are legal to be used.

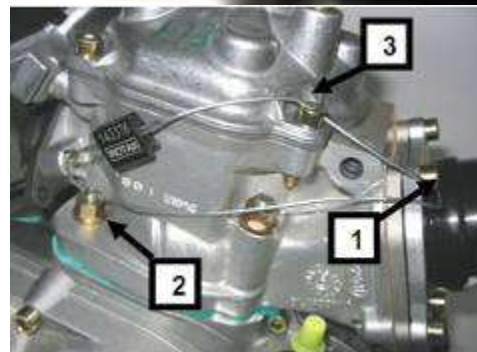
Further legal seals are:

- Black anodized aluminum seals with "JAG"-logo and 6 digit serial number
- Red anodized aluminum seals with "JAG"-logo and 6 digit serial number
- Red anodized seals with "KORRIDAS" and 6 digit serial number
- Blue anodized seals with 6 digit serial number (Kombikart)

By means of the steel cable the engine must be sealed on one Allen screw (pos. 1) of the intake flange, on one stud screw (pos. 2) of cylinder and one Allen screw (pos. 3) of the cylinder head cover (see attached pictures).

After sealing the engine seal thread must be squeezed using caliper ROTAX part no. 276 110 (see picture of engine seal).

It is not allowed to pass the end of the sealing wire through the seal a second time (as shown in picture only).



At every new sealing of an engine the ROTAX Authorized Distributor or Service Centers that checks and seals an engine is responsible for following indications at the Engine Identity Card which belongs to the owner of the engine.

Serial no. of the engine

Serial no. of the engine seal

Stamp and signature of the Authorized Distributor/Service Center.

At scrutineering the driver has to present:

The engine(s) with the undamaged engine seal(s)

The Engine Identity Card(s), showing the matching engine serial no.(s), the matching engine seal no.(s), the stamp(s) and signature(s) of the Authorized Distributor or Service Center that has (have) checked and sealed the engine(s).



The ROTAX authorized Distributor organizing a national RMC may appoint before every RMC race a neutral Service Center which will be the only one allowed to re-seal an engine between scrutineering and the final in the case of an engine failure.

The sealing of engines helps to reduce the times for scrutineering at races as during the race event just the accessories (carburetor, exhaust, radiator.....) must be checked.

Of course scrutineers can request to open and re-check an engine according to the Technical Specification, before or after a race or in case of a protest. If an engine seal has been broken (for which reason ever), the engine has to be checked completely according to the Technical Specification and must then be re-sealed by an ROTAX authorized Distributor or one of its Service Centers.

FOR ALL COMPONENTS OUTSIDE THE ENGINE SEAL, THE COMPETITOR IS RESPONSIBLE TO ASSURE THE CONFORMITY WITH THE TECHNICAL REGULATIONS.

4. Modifications, Repairs and Additions

4.1. Modifications

Neither the engine nor any of its ancillaries may be modified in any way. "Modified" is defined as any change in form, content or function that represents a condition of difference from that originally designed. This is to include the addition and/or omission of parts and/or material from the engine package assembly unless specifically allowed within these rules. The adjustment of elements specifically designed for that purpose shall not be classified as modifications, i.e. carburetor and exhaust valve adjustment screws.

The repair of a thread on the crankcase (maximum of three threaded holes per crankcase) using a "heli-coil" or similar is allowed.

Exception: The threads located under the crankcase to fix the crankcase on the engine mount may be repaired as needed.

The repair of a thread on the cylinder (maximum of three threaded holes per cylinder) using a "heli-coil" or similar is allowed.

Genuine ROTAX components only that are specifically designed and supplied for the 125 Junior MAX-, the 125 MAX and the 125 MAX DD2 engine are legal, unless otherwise specified.

ANYTHING WHICH IS NOT EXPRESSLY ALLOWED IN THE TECHNICAL REGULATIONS IS FORBIDDEN.

4.2. Internal additions

No additional material may be added except in the case of engine repairs and shall only restore the engine or components to original specifications.

The use of thermal barrier coatings/ceramic coatings on or in the engine and on or in the exhaust system is prohibited.

The use of anti-friction coatings in or on the engine/engine components is prohibited.

4.3. Legal additions

Chain guard, engine mount, temperature gauge and tachometer/hour meter, catch cans for liquids with mounting brackets, supplementary bracket for DENSO ignition coil (only allowed if the original mounting position of the Denso ignition coil is in conflict with a chassis component).

Customizing the cylinder head cover by painting is legal.

Sensor for exhaust gas temperature (see exhaust systems).

4.4. Non-tech items

Non-original fasteners, circlips, washers, throttle cable housing, fuel and pulse line (type and size) as well as length of coolant hoses are allowed unless otherwise specified.

4.5. Measurements

When taking any dimensional reading, of the following technical regulation, in the order of accuracy of 0,10 mm or even more precise, the temperature of the part must be between +10°C and +30°C.

Before taking any decision based on this regulation a check for available Bulletins is mandatory.

They can be found under <http://www.rotax-kart.com/Max-Challenge/MAX-Challenge/Regulations>

To avoid excessive noise and exhaust emissions revving the engine in the servicing park is not allowed (except a short function test – 5 seconds maximum)

5. Technical Specification (within the engine seal) for ROTAX kart engines

125 Junior MAX/evo

125 MAX/evo

5.1. Squish gap

125 Junior MAX/evo minimum = 1,20 mm

125 MAX/evo minimum = 1,00 mm

The squish gap must be measured with a certified slide gauge and by using a 2 mm tin wire (Rotax part no. 580 130).

The crankshaft must be turned by hand slowly over top dead center to squeeze the tin wire.

The squish gap must be measured on the left and right side in the direction of the piston pin.

The average value of the two measurements counts.

5.2. Combustion chamber insert

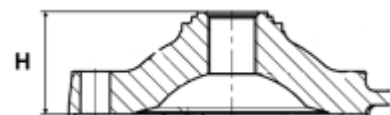
Cast identification code has to be "223 389" or "223 389 1" or

"223 389 2" or "223 389 2/1" or "223 389 2/2".

Casted wording "ROTAX" and/or "MADE IN AUSTRIA" must be shown.



Height of combustion chamber insert has to be 28,80 mm +/- 0,2 mm (H).



The profile of the combustion chamber insert has to be checked with a template (ROTAX part no. 277 390). The crack of light between the template and the profile of the combustion chamber insert has to be the same over the whole profile.



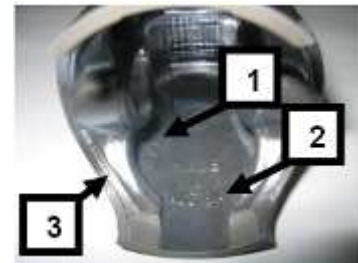
5.3. Piston with ring assembly

Original, coated, aluminum, cast piston with one piston ring. The piston has to show on the inside the cast wording "ELKO" (1) and "MADE IN AUSTRIA" (2).

Machined areas are: Top end of piston, outside diameter, groove for the piston ring, bore for the piston pin, inside diameter at bottom end of piston and some pre-existing factory removal (3) of flashing at the cut out of the piston skirt. All other surfaces are not machined and have cast surface.

Any mechanical treatment or rework of the piston is forbidden, (e.g. removal of carbon deposits).

Cleaning without changing the original surface is allowed.



Original, magnetic, rectangular piston ring.

Ring height : 0,98 +/- 0,02 mm.

Piston ring is marked either with "ROTAX 215 547" or "ROTAX 215 548".

The piston ring is legal also if just parts of the marking are still visible.

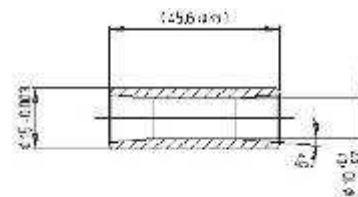


5.4. Piston pin

Piston pin is made out of magnetic steel.

Dimensions must be according to the drawing.

The minimum weight of the piston pin must not be lower than 31,00 grams.



5.5. Cylinder

Light-alloy-cylinder with GILNISIL-plating.

Any re-plating of cylinder is not allowed.

Maximum bore of cylinder = 54,035 mm (measured 10 mm above the exhaust port).

Cylinder has to be marked with the "ROTAX" logo (see pictures below).

125 Junior MAX

Cylinder with one main exhaust port and without exhaust valve.

Cylinders marked with identification code 223 994 only are legal to be used.

The cylinder will be supplied by the organizer. There will be a Trade In program available for all to surrender their old cylinders & buy the new cylinder from the organizer at a specified discount. The engine will be sealed once the new cylinder supplied by the organizer is checked and assembled.

Please check the Supplementary Regulations pertaining to the Cylinder Control and Engine Sealing Control.

125 MAX

Cylinder with one main exhaust port and exhaust valve.

Cylinders marked with identification code 223 993 only are legal to be used.

Height of cylinder

(measured with a digital caliper min. length 200 mm).

125 Junior MAX and 125 MAX: 87,00 mm $-0,05/+0,1$ mm



Cylinder surfaces

All transfer ports and passages have cast finish surface except some removal (done by the manufacturer) of cast burr at the inlet passage, exhaust port and passages. All ports have chamfered edges to prevent ring snagging. Any additional machining is not permitted.

The top edge of exhaust port may show some pre-existing machining from the manufacturer. The sealing flange for the exhaust socket may show signs of machining from the manufacturer.



All ports have chamfered edges.
Any additional machining is not permitted.



Cylinders marked 223 993 and 223 994 the upper edge of the central boost port may show factory machining.



The flange for the exhaust socket may show either cast finish or machined surface.
Machined surface can be either flat or show a circular sealing bump.



The top edge of the exhaust port may show either just a cast finish surface (left picture) or signs of a CNC machining (central picture) or signs of CNC machining in combination with signs of manual grinding (right picture).



The exhaust port may show partial manual grinding done by the manufacturer to eliminate minor casting defects and/or to eliminate the NIKASIL burr at the end of the NIKASIL plating (right picture).

Cylinders marked 223 994 and showing a cast letter mark (e.g. "J") in the inlet port show a fully CNC machined exhaust port and a fully CNC machined top edge of the central boost port.



The horizontal and vertical dimensions of the exhaust port (cylinder 223 994 with fully CNC machined exhaust port only) have to be checked with the template (Rotax part no. 676 240). The template has to be moved in horizontal- and vertical position as far as possible into the exhaust port. In both directions the template may not touch the exhaust socket flange.



Exhaust port timing

The "exhaust port timing" (distance from the top of the cylinder to the top of the exhaust port) has to be checked by means of the template (ROTAX part no. 277 402).

Insert the template (take care to use the correct gauge JUNIOR, MAX or DD2) into the cylinder, and move the template (at the highest point of the exhaust port) as far as possible into the exhaust port.

In this position the template may not touch the cylinder wall.



Exhaust valve (125 MAX and 125 MAX DD2)

If the piston is moved in direction top of cylinder and first time covering completely the exhaust port, it must be possible to insert the exhaust valve gauge (Rotax part no. 277 030) until it stops at the surface of the cylinder (a feeler gauge of 0,05 mm must not be possible to fit in at any area around).

Modifying the gasket (Rotax part no. 250 231) between the cylinder and the exhaust valve housing is illegal.



5.6. Inlet system

Inlet manifold is marked with the identification code "267 915" and the name "ROTAX" or just "267 916", valid for 125 Junior MAX and 125 MAX

"267 410" and the name "ROTAX" or just "267 411", valid for 125 MAX DD2.

Some factory flash removal may be present at the conjunction of the inside contour and the carburetor stop mounting face. This is a manual trimming operation consisting of a small corner break of less than 3 mm in width. No additional grinding or machining is permitted.



The reed valve assy. is equipped with 2 petal stops and 2 reeds, each having 3 petals.

The thickness of the reeds is 0,6 mm +/- 0,10 mm.

5.7. Crankshaft

Stroke 54,5 mm +/-0,1 mm

Con rod has to show forged numbers "213", "365", "367" or "362" on shaft.

Shafts of con rods "213", "365" and "367" are not machined and copper plated.

Shaft of con rod "362" is not copper plated and is blank (grey).

Grinding or polishing of shaft of con rod is not permitted.



5.8. Crankshaft main bearings

Crankshaft main bearing 6206 from FAG is allowed only. (must be marked with code 579165BA or Z-579165.11.KL)



5.9. Balance shaft (125 Junior MAX and 125 MAX)

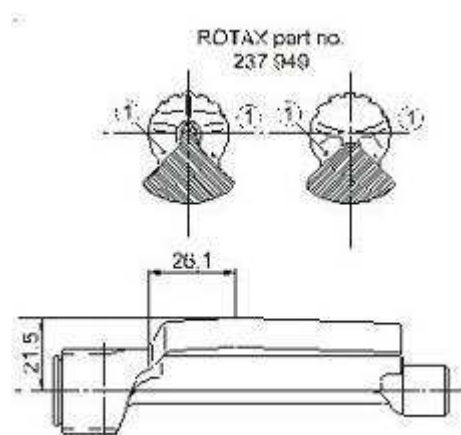
Balance shaft and balance gears must be installed.

Configurations of part no. 237 949 (equal with 237 948) only is legal.

Surface (1) is not machined and must show cast surface.

Measurement from center of balance shaft to outer diameter of fly weight of balance shaft at defined length must not be lower than specified.

The minimum weigh of the dry balance shaft must not be lower than: 255 grams for balance shaft ROTAX part no. 237 949 (equal with 237 948).



5.10. Crankcase

As supplied by the manufacturer. No grinding/polishing is permitted in the two main transfer passages as well as in the crank area.

Uncoated as well as black coated crankcases are legal to be used.

6. Technical Specification (outside the engine seal) for ROTAX kart engines

125 Junior MAX/evo

125 MAX/evo

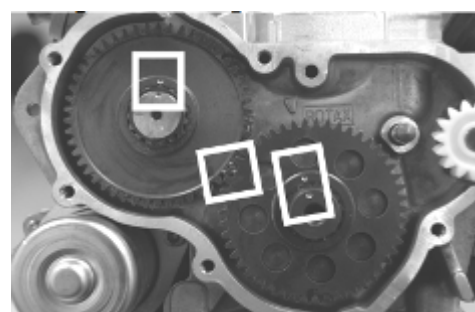
It is the responsibility of the competitor to check his equipment (all components outside the engine seal as mentioned below), to assure that his equipment is conforming to the technical specification below!

6.1. Balance drive (125 Junior MAX and 125 MAX)

Only steel balance gears are legal to be used.

Balance gears must be installed and must be aligned according to the instruction in the repair manual.

Mixing of steel balance gears of different width (6,0 and 9,0 mm) is strictly forbidden.



6.2. Centrifugal clutch

125 Junior MAX and 125 MAX

Engagement speed of centrifugal clutch at maximum 4.000 rpm (the kart without driver must start to move).

Two versions of clutch (item 1, with and without holes) are legal to be used.

Both versions are marked with the wording "ROTAX".

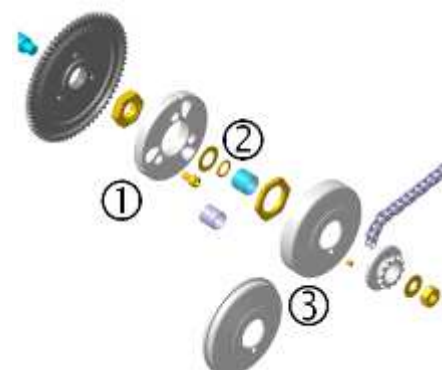
O-ring (item 2) must be fitted and must assure an appropriate sealing between the clutch drum and the needle/plain bearing.

Two versions of clutch drum (item 3) are legal to be used.

Both versions are marked with the wording "ROTAX".

Signs of emission of grease from the needle/plain bearing into the clutch drum may not exceed the picture beside.

Contact area between clutch and clutch drum has to be dry at any time – no lubrication allowed.



Height of clutch
125 Junior MAX and 125 MAX:
125 MAX DD2:

Minimum = 11,45 mm
Minimum = 14,45 mm



Thickness of clutch shoe
Minimum = 24, 10 mm Measurement has to be done at the
3 open ends of the clutch, 5 - 10 mm from the machined groove
(all clutch shoes must be completely closed at measurement
- no gap).



Outer diameter of clutch drum
Minimum = 89,50 mm

Diameter has to be measured with a sliding caliper just beside the radius from the shoulder (not at the open end of the clutch drum).



Inner diameter of clutch drum
Maximum = 84,90 mm

The inner diameter has to be measured with a sliding caliper. The measurement has to be done in the middle of the clutch drum (in the contact area between clutch and clutch drum).



Height of clutch drum with sprocket/primary gear
 125 Junior MAX and 125 MAX Minimum = 33,90 mm
 125 MAX DD2 Minimum = 39,50 mm



Combinations of ignition system, carburetor and exhaust system

The combination of components is limited to following two specifications (1 and 2) per engine type.

Components \ Combinations	Engine type		125 Junior MAX		125 MAX		125 MAX DD2	
	1*	2	1*	2	1*	2	1*	2
Ignition system Denso	○		○		○		○	
Ignition system Dell'orto		○		○		○		○
Exhaust valve, pneumatic timed			○		○		○	
Exhaust valve, electronic timed				○		○		○
Carburetor QS, QD	○		○		○		○	
Carburetor XS	○	○	○	○	○	○	○	○
Exhaust system, version 1 and 2	○		○		○		○	
Exhaust system, version 3	○	○	○	○	○	○	○	○

* Specification 1* just allowed until December 31st, 2017.

6.3. Exhaust valve (125 MAX and 125 MAX DD2)

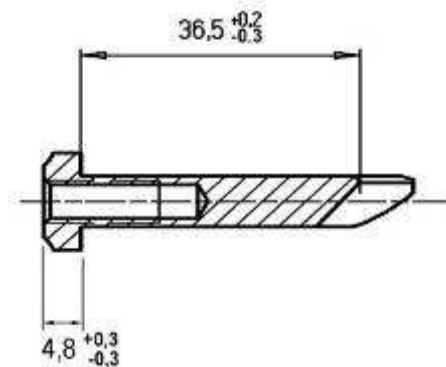
Two versions of original exhaust valve systems (pneumatic/electronic timed) are legal to be used. Both systems have to be used with all components fitted as shown in the illustration below.

At version 2, just the configuration where the exhaust valve spring (pos. 13) is fitted on top of the exhaust valve piston (pos. 11) is legal to be used.

Length of the exhaust valve (item 4 of pneumatic timing, item 2 of electronic timed exhaust valve) is 36,5 mm +0,20 mm/-0,30 mm.

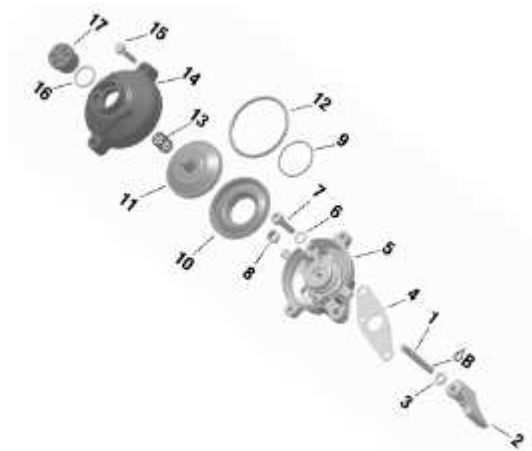
Width of collar is 4,8 mm +/-0,3 mm

Green colored exhaust bellow (item 11 of pneumatic timed exhaust valve, item 10 of electronic timed exhaust valve, Rotax part no. 260 723) only is legal to be used.



Version 1, pneumatic timed exhaust valve.
(legal to be used until December 31, 2017)

Version 2, electronic timed exhaust valve



At version 2, fitting an original impulse nozzle ❶ into the pressure hose is an allowed adjustment. The direction of the impulse nozzle inside the pressure hose is free.



6.4. Ignition system

Digital battery ignition, variable ignition timing, no adjustments possible.

Spark plug: NGK GR9DI

Two versions of spark plug caps are legal to be used.

Version 1: Black, marked with "NGK TB05EMA".

Version 2: Red, marked "NGK"

The marking of the pick-up must show the following numbers in the first line 029600-0710.

A steel ball (diameter 3-5 mm) placed on circular surface of the sensor must stay in the center of the circular surface.

During a transition period the Denso and NGK spark plug will be legal to be used. As of 01.01.2018 latest, just the NGK GR...DI will be legal to be used for RMC races. Please check the technical regulations of the RMC you would like to participate regarding the timing for this detail.



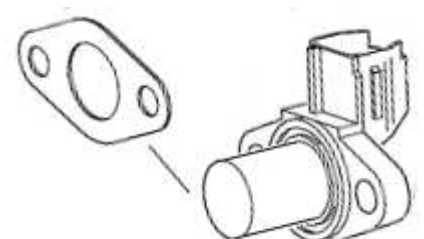
Mounting the pick up to the crankcase with a gasket additional to the original rubber sealing ring of the pick-up, is a legal specification.

Additional gasket, Rotax 431 500, gasket thickness = 0,8 mm

Maximum two gaskets (Rotax 431 500) are allowed to be fitted.

Fitting position of the additional gasket(s):

Crankcase – rubber sealing ring – additional gasket(s) – pick-up.



Two versions of original ignition systems (Denso and Dellorto) are legal to be used.

Race officials may request at any time that the competitor replaces the ignition coil (Denso ignition system)/electronic box (Dellorto ignition system) with another unit provided by the race administration.

Version 1, Denso ignition system (legal to be used until December 31, 2017)

The casting of the ignition coil has to show the following in casting "129000-" and "DENSO".

125 Junior MAX and 125 MAX

Ignition coil must show 3 pins at the terminal.

Connector housing of ignition coil must have either black or green color

Version with extension wire (number 265571 engraved as in picture) is not legal to be used any more as of 01.03.2012.

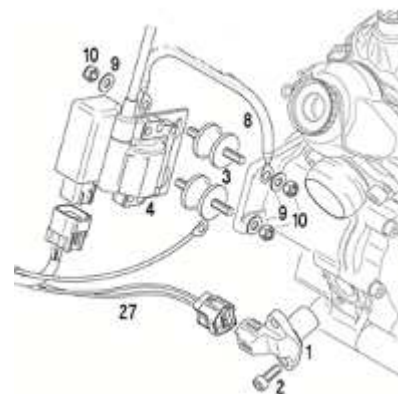
Minimum length of the high tension cable is 210 mm (from outlet of ignition coil to outlet of spark plug connector = visible length of cable).



The ignition coil has to be fixed by means of 2 original silent blocks to the gearbox cover.

In case a chassis component collides with the ignition coil, it is an allowed modification to use a supplementary extension bracket (rigid, solid metal, mounted at the original fixation holes of the gearbox cover) to avoid any collide.

To fit a second original mass cable (ROTAX part no. 264 910) is an allowed option



Version 2, Dellorto ignition system

Ignition coil (same for all engines) with separate electronic box (ECU, specific for every engine). Ignition coil and ECU (and magnet valve, for 125 MAX and 125 MAX DD2 only) have to be fitted with all components according to the illustrations below.

In case the mounting bracket (125 Junior MAX and 125 MAX only) is in conflict with a chassis component, the additions of 2 spacers, one per mounting hole, with a maximum thickness of 20 mm between the mounting bracket and the gearbox cover is allowed.

Two different mounting versions (left illustration and right illustration) are legal.

125 Junior MAX and 125 MAX



At the mounting versions as shown in the left illustrations, the ground cable of the cable harness has to be connected to the lower rubber buffer of the support plate.

Removing the black coating of the gearbox cover (125 Junior MAX and 125 MAX) in specific areas defined by Rotax (for mass connection between cable harness and engine) is a legal modification.

The visual appearance of the ignition coil must be identical with the pictures.

Ignition coil must show 2 pins at the terminal.

The ignition coil is labeled with two stickers, "BRP 666820" and "NIG 0105".

The ignition coil is still legal to be used also if one or both stickers disappeared.

Minimum length of the high tension cable of the ignition coil is 210 mm (from outlet of ignition coil to outlet of spark plug connector = visible length of cable).



The electronic control unit (ECU) is labeled with stickers and is still legal also if the sticker is unreadable or disappeared.

125 Junior MAX: "666812"
"666813"
125 MAX: "666814"
"666815"

The ECU has to be checked with the ECU tester (Rotax part no. 276 230) according to following procedure.

Disconnect engine cable harness from ECU.

Connect ECU tester cable harness to ECU.

Connect energy cable of ECU tester cable harness with the charging connector of engine cable harness.

At every connection with the battery the software version of the ECU tester will be indicated on the display for approx. 2 seconds.

The software version indicated on the display has to be 2V00.

Start the test by pressing the button "✓" on the ECU tester.

After approx. 3 second the type of ECU ① that is actually tested will be indicated in the second line of the display.

After approx. 30 seconds the result ② of the test will be indicated in the first line of the display.



The ECU tester has to indicate following results:

125 Junior MAX category

- ① 666812JNRMAX or 666813JNRMAX
- ② !! Test OK !!

125 MAX category

- ① 666814MAX or 666815MAX
- ② !! Test OK !!



6.5. Battery, battery fixation

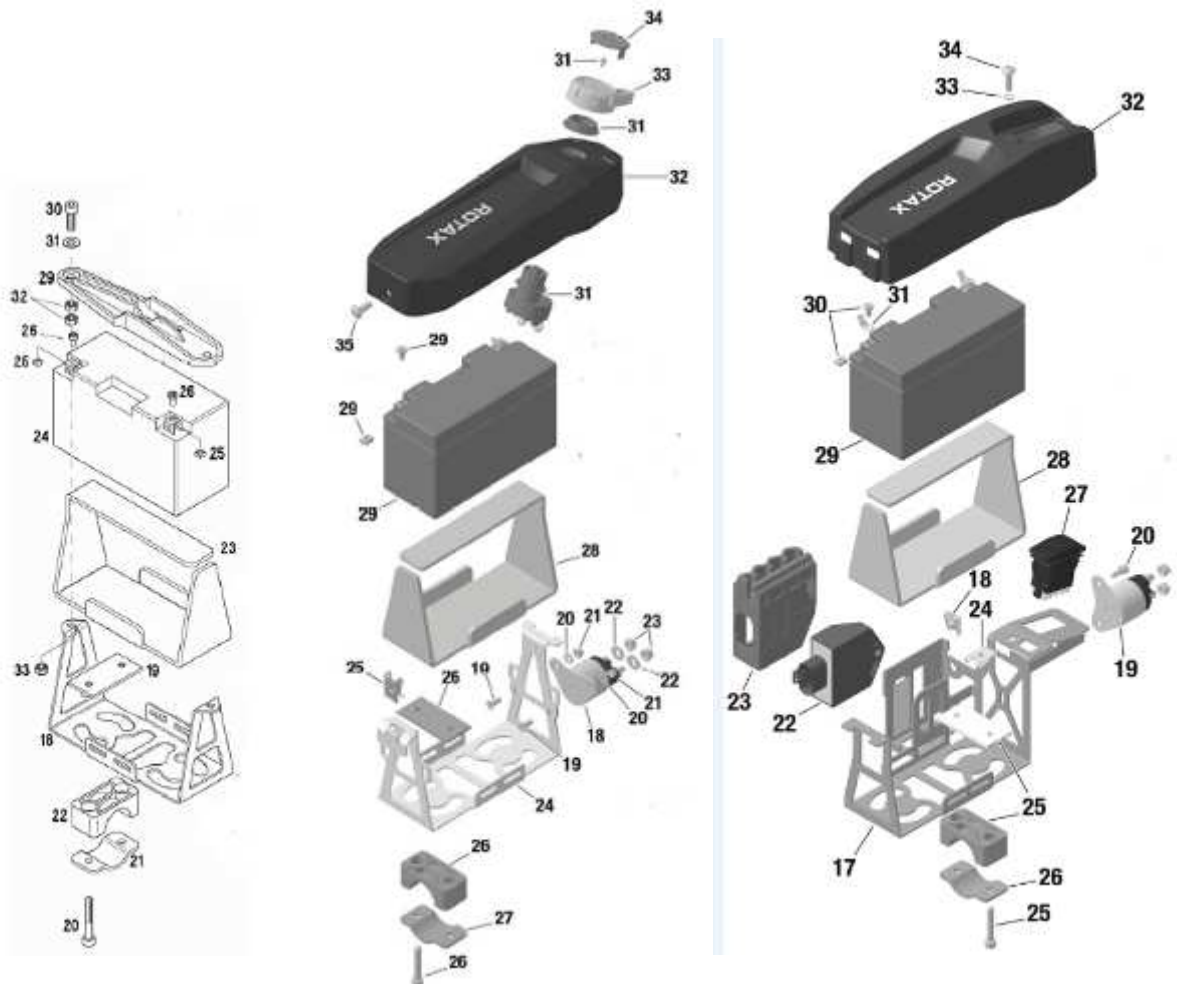
Original batteries with following specification only are legal to be used.

YUASA YT7B-BS (with and without Rotax branding)

ROTAX RX7-12B or RX7-12L (lithium iron phosphate type)

Battery must be fitted with the original battery clamp and battery cover (according to illustration below) and must be fixed to the chassis with both clamps (all 4 screws).

Battery clamp must be mounted on the left side of the seat.



6.6. Intake silencer 125 Junior MAX and 125 MAX

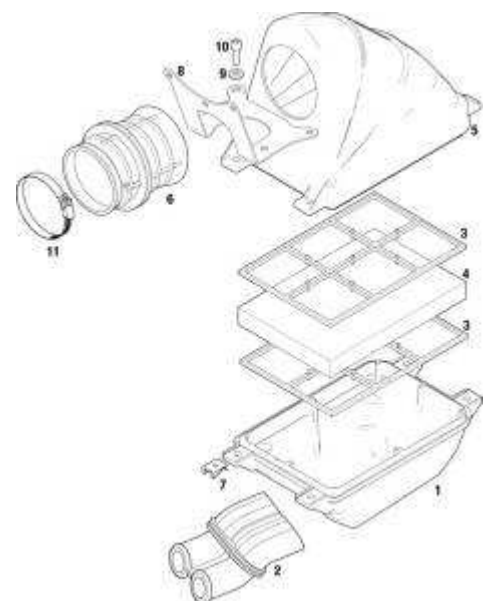
Intake silencer with integrated, washable air filter has to be used with all parts as shown at the illustration and has to be mounted on the support bracket with two screws (in dry and wet condition).

Intake silencer tube (pos 2) and carburetor socket (pos 6) are marked with the wording "ROTAX".

Intake silencer case bottom is marked on the inside with the Rotax part no. 225 015.

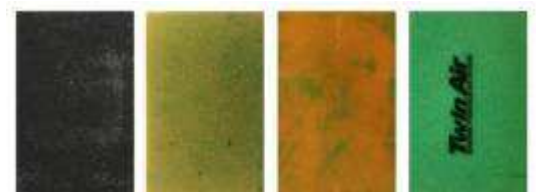
Intake silencer case, top is marked on the inside with the Rotax part no. 225 025.

Three versions of original air filters (pos.4) are legal to be used. Single layer air filter (black), double layer air filter (green/orange), double layer air filter (green/darkgreen) marked "TwinAir". Depending on the degree of oil-lubrication colours may alter slightly or the surface becomes stained (see examples).



Air filter (pos 4) must be installed as shown in the illustration between the two holders (pos 3) and must cover the complete area of the intake silencer case bottom (pos1).

Also at wet condition it is not allowed to attach anything to the air box to protect the air inlet from water spray.



6.7. Carburetor

Dellorto carburetor, housing has to show the cast wording "VHSB 34"
Carburetor housing is stamped either with "QD", "QS" or "XS".

The complete inlet bore of the carburetor must show cast surface.

Optional carburetor plug screw marked "ROTAX" (ROTAX part no. 261 030) is legal to be used.

The two vent fittings must be connected with the original air vent hose min 155 mm (Rotax part no. 260 260). The location of the opening has to be placed at the rear side of the carburetor

Settings of the carburetor adjustment screws (idle and idle air) are free.

The position of the jet needle is free.

All jets must be correctly seated and securely fitted at any time (tightened)!

A minimum required size of main jet may be determined for each race event by a "Bulletin".

The height of the two arms of the float lever must be within the slot of the carburetor gauge (Rotax part no. 277 400) by their normal weight measured at carburetor housing without gasket in reverse upright position.

Needle valve assembly stamped "150"

Needle of needle valve marked with diamond symbol "INC" only.

Start jet is stamped with the digits "60".



Specific regulation for Dellorto VHSB 34 QS and QD (legal to be used until December 31, 2017)

Carburetor slide shows digits "40" in casting.

Jet needle must be stamped with "K98".

Two floats marked "3,6 gr" or "5,2 gr" are legal to be used only (valid for 125 Junior MAX and 125 MAX).

Two floats marked "5,2 gr" are legal to be used only (valid for 125 MAX DD2).



Needle jet

Stamped with "FN 266"

Total length: 54,00 +/- 0,3 mm

Length of bottom section: 11,50 +/- 0,2 mm



Top bore diameter 2,60 +/- 0,15 mm (measured 2 mm inside)

4 x4 cross holes diameter:

Plug gauge 0,90 mm may not enter one of the 16 cross holes (use jet gauge set Rotax part no. 281 920).



Idle jet

Idle jets stamped 30, 35, 40, 45, 50, 55 and 60 only are legal to be used. It is not mandatory that idle jet and idle emulsion tube show the same size.

Plug gauge 0,65 mm may not enter the bore of the idle jet 60 (use jet gauge set Rotax part no. 281 920).



Idle emulsion tube:

Idle emulsion tube stamped 30, 35, 40, 45, 50, 55 and 60 are legal to be used.

It is not mandatory that idle emulsion tube and idle jet show the same size.

Plug gauge 0,65 mm may not enter the bore (use jet gauge set Rotax part no. 281 920).



Plug gauge 0,65 mm may not enter one of the 4 cross bores (use jet gauge set Rotax part no. 281 920).



Carburetor insert

Carburetor insert must show stamping "8.5"



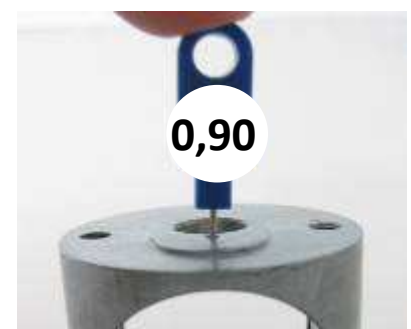
Angular bore of carburetor insert

Plug gauge 0,60 may not enter the bore (use jet gauge set Rotax part no. 281 920).



Vertical bore of carburetor insert

Plug gauge 0,90 may not enter into bore (use jet gauge set Rotax part no. 281 920).



Atomizer

Remove atomizer from carburetor body by means of venturi tool set (Rotax part no. 676 034); Atomizer, total length: 23,75 +/- 0,45 mm



Atomizer, length of cylindrical part: 15,75 +/- 0,25 mm



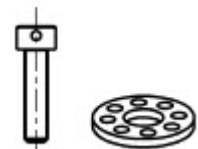
Atomizer, dimension of cutaway: 6,00 +/- 0,15 mm



Atomizer, diameter of cross bore: 4,05 +/- 0,15 mm



Optional items Rotax part no. 240 184 (2 x Allen screw) and Rotax part no. 261 552 (1 x main jet cup) are legal to be used. These parts optionally replace the parts 262 020 and 261 550 in the case of sealing a carburetor.



Specific regulation for Dellorto VHSB 34 XS

Carburetor slide shows digits "45" in casting.

Jet needle must be stamped with "K57".

Two floats marked "4,0 gr" are legal to be used only

Any Dellorto main jet number even if not offered from Rotax is legal to be used.

Needle jet

Stamped with "DP267"

Total length: 51,0 +/- 0,5 mm

Length of bottom section: 33,0 +/- 0,45 mm



Top bore diameter 2,67 +/- 0,10 mm



Idle jet

Idle jet has to be stamped with 60.

Plug gauge 0,65 mm may not enter the bore (use jet gauge set Rotax part no. 281 920).



Idle emulsion tube

Idle emulsion tube has to be stamped with 45.
Plug gauge 0,50 may not enter the central bore.
(use jet gauge set Rotax part no. 281 920)



Atomizer

Remove atomizer from carburetor body by means of venturi tool set (Rotax part no. 676 034);
Atomizer, total length: 23,75 +/- 0.35 mm



Atomizer, length of cylindrical part: 15,75 +/- 0,25 mm



Atomizer, dimension of cutaway: 5,8 +/- 0,3 mm



Atomizer, dimension of cross bore: 5,0 +/- 0,15 mm



Carburetor insert must show stamping "12,5"



Angular bore of carburetor insert
Plug gauge 0,60 may not enter the bore
(use jet gauge set Rotax part no. 281 920).



Vertical bore of carburetor insert
Plug gauge 1,30 may not enter the bore
(use jet gauge set Rotax part no. 281 920).



6.8. Fuel pump, fuel filter

MIKUNI diaphragm pump, (see picture) must be used and must be mounted as shown in the illustration.

125 Junior MAX and 125 MAX

Fuel pump must be mounted on the bottom side of the support bracket for the intake silencer (left illustration).



Fuel filter

Two versions of original fuel filter are legal to be used (see pictures)

Except the fuel line, the fuel pump and the original fuel filter no additional parts are legal to be mounted between fuel tank and carburetor.



6.9. Radiator

The removal of the thermostat from the cylinder head cover is an allowed modification.

Radiator must be mounted with all components as shown in the respective illustration.

To apply tape (neutral tape without advertising only) around the radiator is an allowed modification to control the air flow through the radiator.

Tape may not be removed from the radiator during operation on the track.

Any other non original device to control the air flow through the radiator is prohibited.

125 Junior MAX and 125 MAX

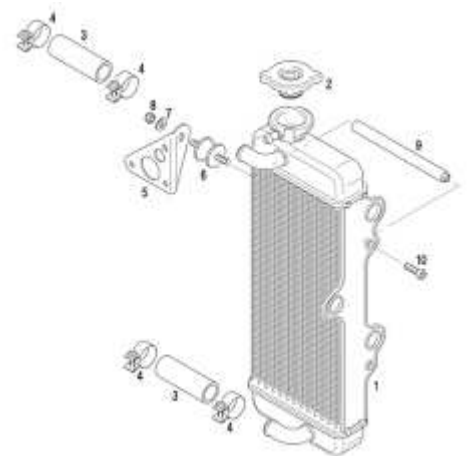
The radiator has to be mounted on the right side of the engine.

Three different versions as shown in the illustrations are legal to be used.

Version 1 (legal to be used until December 31, 2017)

Cooling area: Height = 290 mm, width = 133 mm

Thickness of radiator: 32 mm

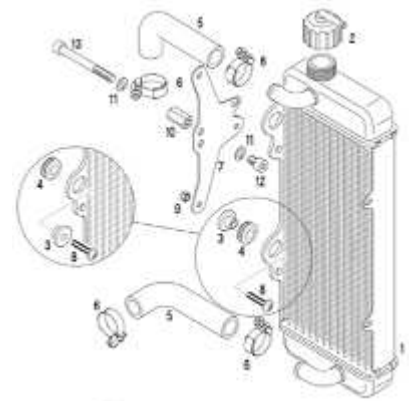


Version 2 (legal to be used until December 31, 2017)

Cooling area: Height = 290 mm, width = 133 mm

Thickness of radiator: 32 mm

The support plate (pos. 7) enables two different mounting positions (height) of the radiator. Both mounting positions are legal to be used.



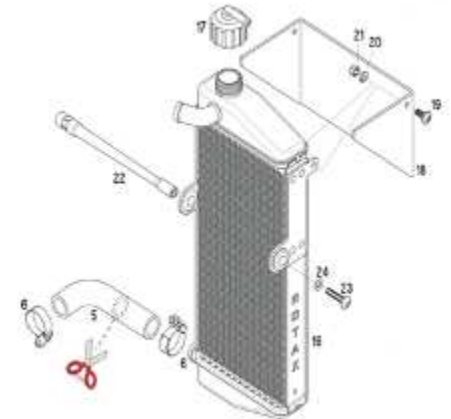
Version 3

Cooling area: Height = 290 mm, width = 138 mm

Thickness of radiator: 34 mm

Radiator must be stamped on the side with the wording "ROTAX".

To remove the original flap is an allowed modification.



6.10. Engine coolant

Plain water without any additives has to be used.

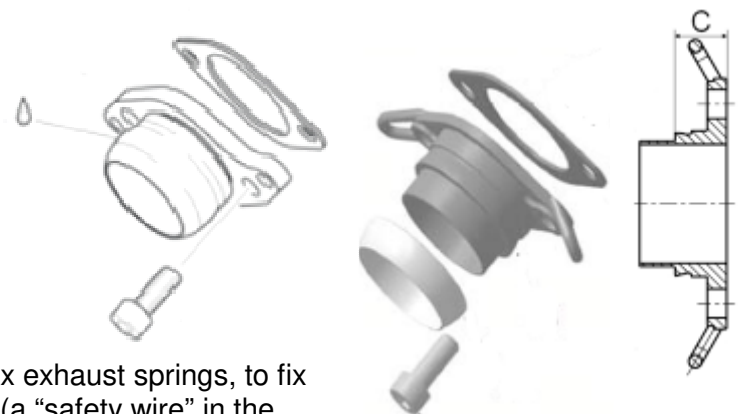
6.11. Exhaust system

Two versions of original exhaust sockets are legal to be used.

Version 1, without gasket ring (left illustration legal to be used until December 31, 2017)

Version 2 with gasket ring (right illustration)

At version 2 the measurement (C) must be at least 15,5 mm.



The use of maximum 4 pieces of original Rotax exhaust springs, to fix the exhaust system to the cylinder is allowed. (a "safety wire" in the exhaust flange area is not allowed).

Original exhaust system as supplied by Rotax is mandatory to be used.

Welding at the exhaust system is only allowed in the case of a repair.

Allowed modifications on the original exhaust systems are:

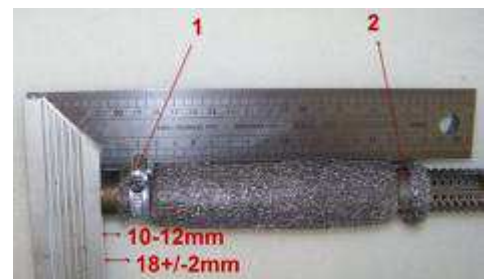
► Replacing the original rivets of the silencer end cap by 4 mm metric screws and corresponding locking nuts.

► Replacing the isolating mat (just one original isolating mat may be fitted) inside the silencer and the silencer end cap with perforated tube by original Rotax spare parts.

► Welding a socket (in a distance of 50-80 mm from the ball joint) on the top of the exhaust system for measuring the exhaust gas temperature.

► Addition extra elements after the original silencer for further noise reduction.

► Additional to the standard isolation mat a steel isolation mat (Rotax part no. 297 983) of the square dimension of 165 +10 mm is legal (not mandatory) to be assembled underneath the standard isolation mat according to the illustration.



Clamp (1) must be fitted at a distance of 18+/-2mm, measured from the end of the tube.
 Clamp (2) must be fitted at the end area of the steel isolation mat.
 The measurement 10-12 mm from the end of the perforated tube to the beginning of the steel isolating mat is a specification for assembly purpose only!
 Both clamps (1 and 2) are mandatory to be fitted and tightened.

125 Junior MAX and 125 MAX

Three versions of exhaust systems are legal to be used.

Version 1, tuned pipe and silencer are one piece. The silencer is welded to the 180° elbow and the tuned pipe (top illustration, legal to be used until December 31, 2017).

Version 2, tuned pipe and silencer are one piece. The silencer is welded to the 180° elbow. Two springs fix the silencer to the tuned pipe (bottom illustration, legal to be used until December 31, 2017).

Following measurements are valid for version 1 and 2:

Silencer end cap, diameter of hole: 21,0 mm (maximum).

Length of inlet cone: 592 mm +/-5 mm (measured on outside from beginning of exhaust pipe until beginning of cylindrical part).

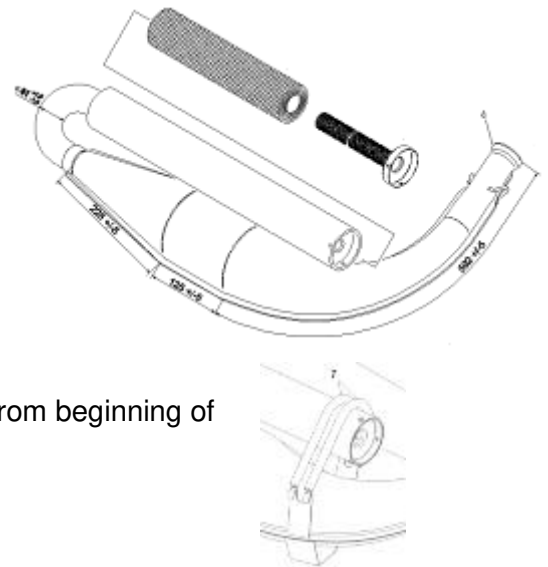
Length of cylindrical part of exhaust pipe:

125 mm +/-5 mm.

Length of end cone: 225 mm, +/-5 mm.

Outside diameter of 180° bent tube: 41mm +1,5 mm/-1,0 mm (measured at beginning and end of bend).

For version 1 and 2 the original design silencer end cap without 90° elbow is mandatory to be used.



Version 3, tuned pipe with 180° elbow and silencer are two separate pieces. The silencer is fixed with 2 springs to the 180° elbow and two springs to the tuned pipe.

The silencer has to be mounted in a position where the direction of the 90° elbow outlet (direction of the hot exhaust gasses) does not harm any component of the chassis.

To fit a 3rd original spring (crosswise at the ball joint connection between 180° elbow and silencer) is an allowed option.

For Version 3 the original design silencer end cap with 90° elbow is mandatory to be used.

