

<b>Bulletin No.</b>	2017.IJTC.03
<b>Bulletin Date</b>	24 <sup>th</sup> May 2017
<b>Effective</b>	24 <sup>th</sup> May 2017
<b>Subject</b>	2017 Technical Regulations for Indian Junior Touring Car (TC-2)

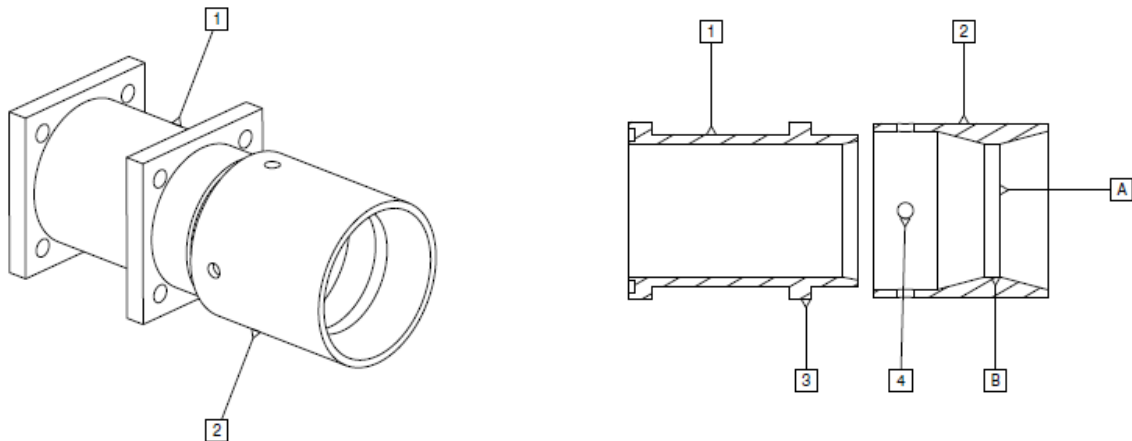
### Restrictor

All engines will be fitted with an Air Restrictor as per the following Table:

- a. 1000cc to 1200cc - 41mm
- b. 1401cc to 1600cc - 46mm
- c. 1601cc to 1800cc - 47mm
- d. 1801cc to 2000cc - 48mm

Note:

For 1.3L Esteem (MPFI) and 1.3L Honda City the Restrictor Dimension is 45mm



- 1 - Throttle Body
- 2 - Restrictor
- 3 - Throttle Body mount Bolt
- 4 - Restrictor Mount Bolt (4 Nos)
- A - Restrictor Maximum Inner Diameter
- B - Restrictor Minimum Width 5mm

Note :

Throttle Body Mounting Bolt Head must be Drilled with 1.5mm Hole for Sealing  
Restrictor Mounting Bolt Head must be Drilled with 1.5mm Hole for Sealing

Member of

