

Bulletin No.	2017.SS.03
Bulletin Date	24 th May 2017
Effective	24 th May 2017
Subject	2017 Technical Regulations for Super Stock Cars (TC-3)

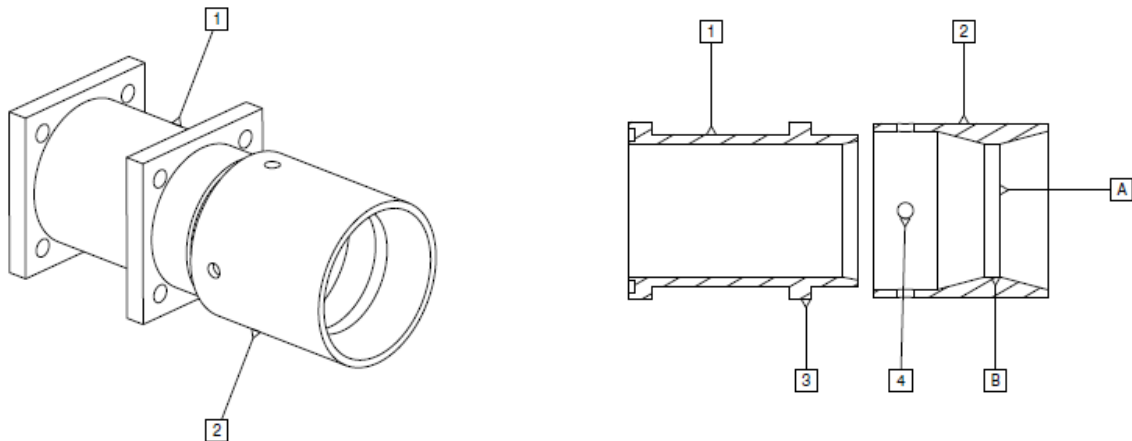
Restrictor

All engines will be fitted with an Air Restrictor as per the following Table:

- 1000cc to 1200cc - 41mm
- 1401cc to 1600cc - 46mm
- 1601cc to 1800cc - 47mm
- 1801cc to 2000cc - 48mm

Note:

For 1.3L Esteem (MPFI) and 1.3L Honda City the Restrictor Dimension is 45mm



- 1 - Throttle Body
- 2 - Restrictor
- 3 - Throttle Body mount Bolt
- 4 - Restrictor Mount Bolt (4 Nos)
- A - Restrictor Maximum Inner Diameter
- B - Restrictor Minimum Width 5mm

Note :

Throttle Body Mounting Bolt Head must be Drilled with 1.5mm Hole for Sealing
Restrictor Mounting Bolt Head must be Drilled with 1.5mm Hole for Sealing

Member of

