

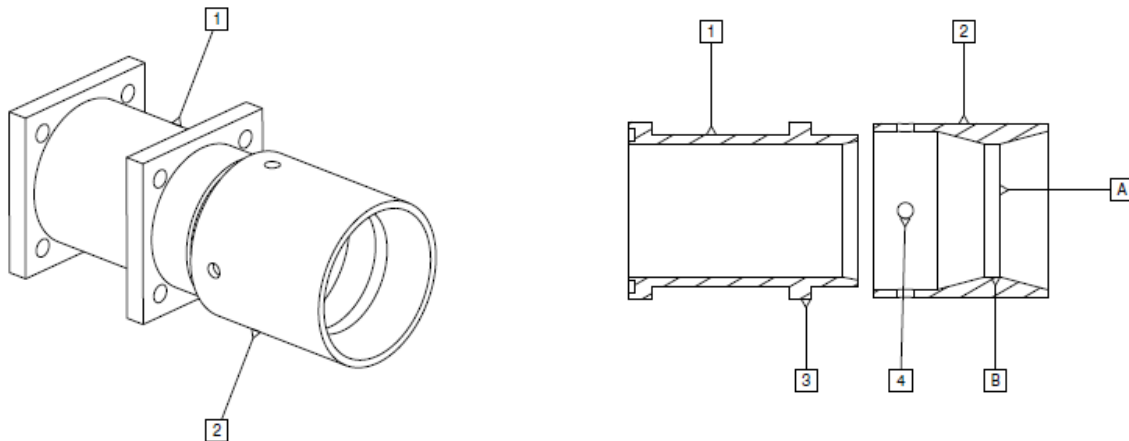
Bulletin No.	2017.IJTC.01
Bulletin Date	13 th January 2017
Effective	13 th January 2017
Subject	2017 Technical Regulations for Indian Junior Touring Car (TC-2)

1) Add a new Article

Restrictor

All engines will be fitted with a Air Restrictor as per the following Table:

- a. up to 1000 cc - 22 mm
- b. Up to 1200 cc - 24 mm
- c. Up to 1400 cc - 26 mm
- d. Up to 1600 cc - 28 mm
- e. Up to 1800 cc - 30 mm
- f. Up to 2000 cc – 32 mm



- 1 - Throttle Body
- 2 - Restrictor
- 3 - Throttle Body mount Bolt
- 4 - Restrictor Mount Bolt (4 Nos)
- A - Restrictor Maximum Inner Diameter
- B - Restrictor Minimum Width 5mm

Note :

Throttle Body Mounting Bolt Head must be Drilled with 1.5mm Hole for Sealing
Restrictor Mounting Bolt Head must be Drilled with 1.5mm Hole for Sealing

Member of

